



## T-RANGER

### Multi-Purpose 10.1-inch In-Store and Warehouse Tablet

Highly ruggedized and powered by a 10,000 mAh battery, the T-Ranger is designed to withstand the rigors of your operation all day, every day. Engage your customers at the curb, in the aisle or at the cash wrap. Use the onboard NFC reader or add an optional payment bracket to easily facilitate transactions wherever your customers want to shop. Choose the optional integrated 2D barcode scanner and unlock a powerful tool for seamlessly tracking inventory in-store, as well as streamlining receiving, picking and shipping operations within the warehouse. Gorilla Glass screen protection, 1.2M drop resistance and a hot swappable battery ensure your device is protected and always ready to go.





## CARACTERISTICI

### 1. Incredible connectivity

Bluetooth®, Wi-fi®, and NFC allow for any type of wireless connection, while HDMI, and two USB ports can connect to almost any wired peripheral

### 2. Integrated 2D Barcode Scanner

A fully integrated 2D barcode scanner makes the T-RANGER the ultimate data capture device, while the 10" screen enables the operator to easily work with the captured data

### 3. Slim & rugged design

A crack-resistant Gorilla Glass screen and integrated rugged bumpers protect the tablet from damage and accidental drops while maintaining a sleek and modern design

### 4. Customized accessories

Specifically designed to support customized expansion modules for different applications to suit your business needs

### 5. All day battery

The 10,000 mAh hot swappable battery extends operating time without interruptions

---

## MARKETS

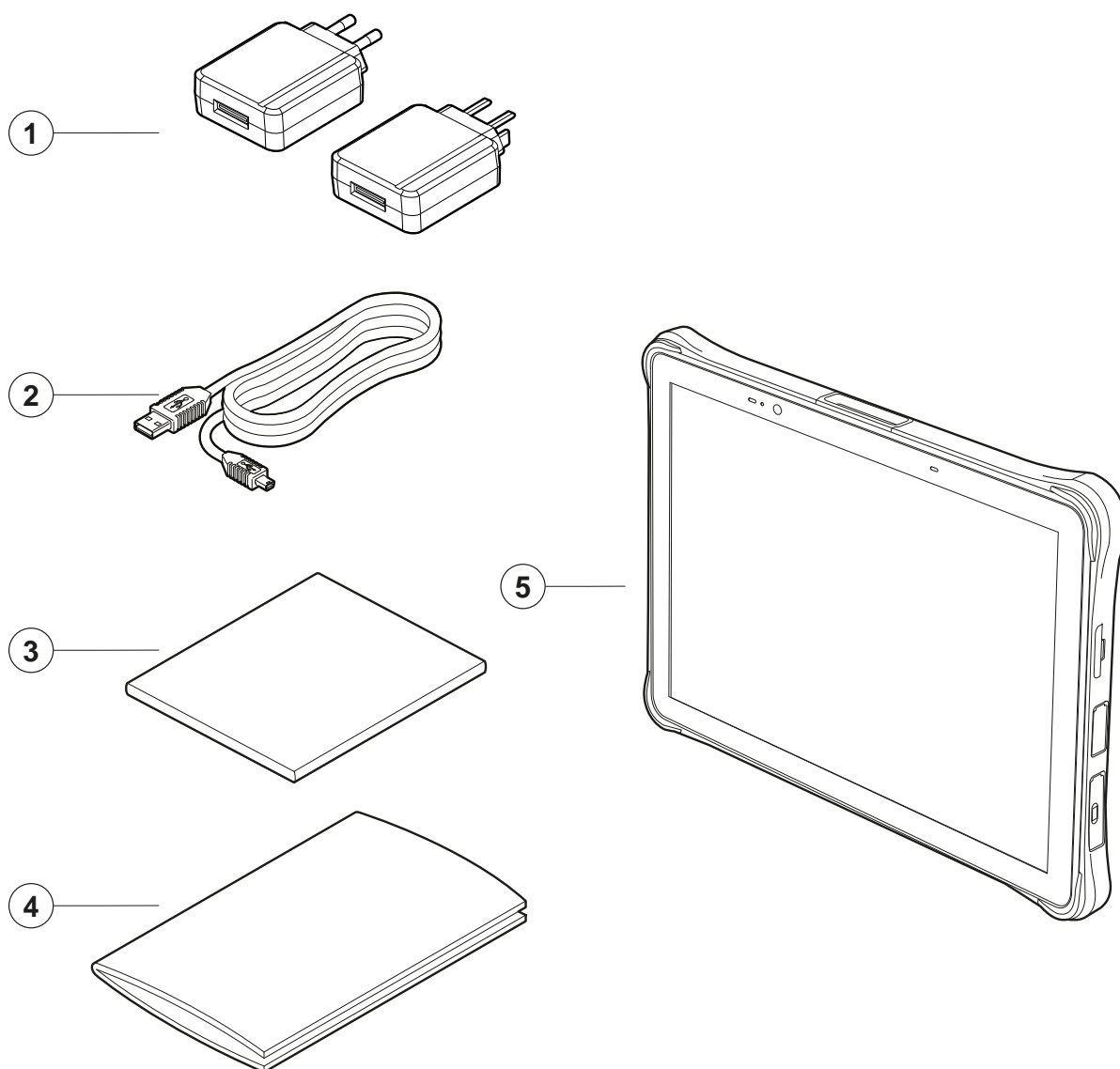
- Retail
  - Logistics
  - Industrial
-

## ACCESORII

- Hand strap
- Multi-functional charging cradle
- 10,000 mAh Battery

---

## BOX CONTENTS



1. Standard AC adapter EU or for US market
2. USB type A - USB type C cable
3. Lithium battery
4. Documentation (Short guide)

## Device

### FI?? TEHNIC?

<b>CPU</b>	MediaTek MT8788 Octa-core 2.0 GHz
<b>RAM Memory</b>	4 GB
<b>Storage</b>	64 GB
<b>OS</b>	AndroidTM 11 with GMS
<b>Display</b>	10.1" 1920x1200P FHD Multi-Touch IPS display with Gorilla Glass
<b>Brightness</b>	400 cd/m2
<b>Barcode scanner</b>	Built-In 1D/2D barcode scanner (only for specific P/N 93DHN015600L33)
<b>Camera</b>	13MP Rear Camera with Flash, 8MP Front Facing Camera
<b>Wireless</b>	WLAN 2.4G, 5G (Dual band) 802.11a/b/g/n/ac, BT 4.2, WWAN (worldwide)
<b>WWAN</b>	2G: GSM/GPRS: 850/900/1800/1900 MHz; 3G: WCDMA: B1/B2/B5/B8 4G: LTE Bands: 1/2/3/4/5/7/8/12/17/19/20/28A/28B/34/38/39/40/41
<b>Drop Resistance</b>	1.2 m
<b>Degree of protection</b>	IP65
<b>Connectivity</b>	Ethernet (only for Cradle) / POGO Pin for external module
<b>I/O</b>	Mini-HDMI Output, MicroSD Slot, 2x Nano SIM Slots Rich extension interface (with Cradle), including Ethernet (only with Cradle), Serial Port and USB A/B
<b>Battery</b>	10,000mAh Swappable Battery (with 1,000mAh Internal Backup Battery)
<b>Dimensions</b>	246.1 mm (L) x 164.2 mm (W) x 14.9 mm (H)
<b>Weight</b>	900 g (battery included)

### MODELE



#### **93DHN015600L33**

RUGGED TABLET T-RANGER 10.1"  
ANDR 11 SCANNER US



#### **93DHN015900L33**

RUGGED TABLET T-RANGER 10.1"  
ANDR 11 US

Via I. Newton, 4 - 43010 Fontevivo PR - TVA: IT02498250345 - TEL: +39 0521 680111 - FAX: - COD UNIC: 8RQN7AZ

Datele tehnice de pe acest site nu sunt obligatorii și pot fi modificate fără nicio notificare.

Ultima actualizare: 07 aprilie 2026