



T-RANGER

Multi-Purpose 10.1-inch In-Store and Warehouse Tablet

Highly ruggedized and powered by a 10,000 mAh battery, the T-Ranger is designed to withstand the rigors of your operation all day, every day. Engage your customers at the curb, in the aisle or at the cash wrap. Use the onboard NFC reader or add an optional payment bracket to easily facilitate transactions wherever your customers want to shop. Choose the optional integrated 2D barcode scanner and unlock a powerful tool for seamlessly tracking inventory in-store, as well as streamlining receiving, picking and shipping operations within the warehouse. Gorilla Glass screen protection, 1.2M drop resistance and a hot swappable battery ensure your device is protected and always ready to go.





CARACTÉRISTIQUES

1. Incredible connectivity

Bluetooth®, Wi-fi®, and NFC allow for any type of wireless connection, while HDMI, and two USB ports can connect to almost any wired peripheral

2. Integrated 2D Barcode Scanner

A fully integrated 2D barcode scanner makes the T-RANGER the ultimate data capture device, while the 10" screen enables the operator to easily work with the captured data

3. Slim & rugged design

A crack-resistant Gorilla Glass screen and integrated rugged bumpers protect the tablet from damage and accidental drops while maintaining a sleek and modern design

4. Customized accessories

Specifically designed to support customized expansion modules for different applications to suit your business needs

5. All day battery

The 10,000 mAh hot swappable battery extends operating time without interruptions

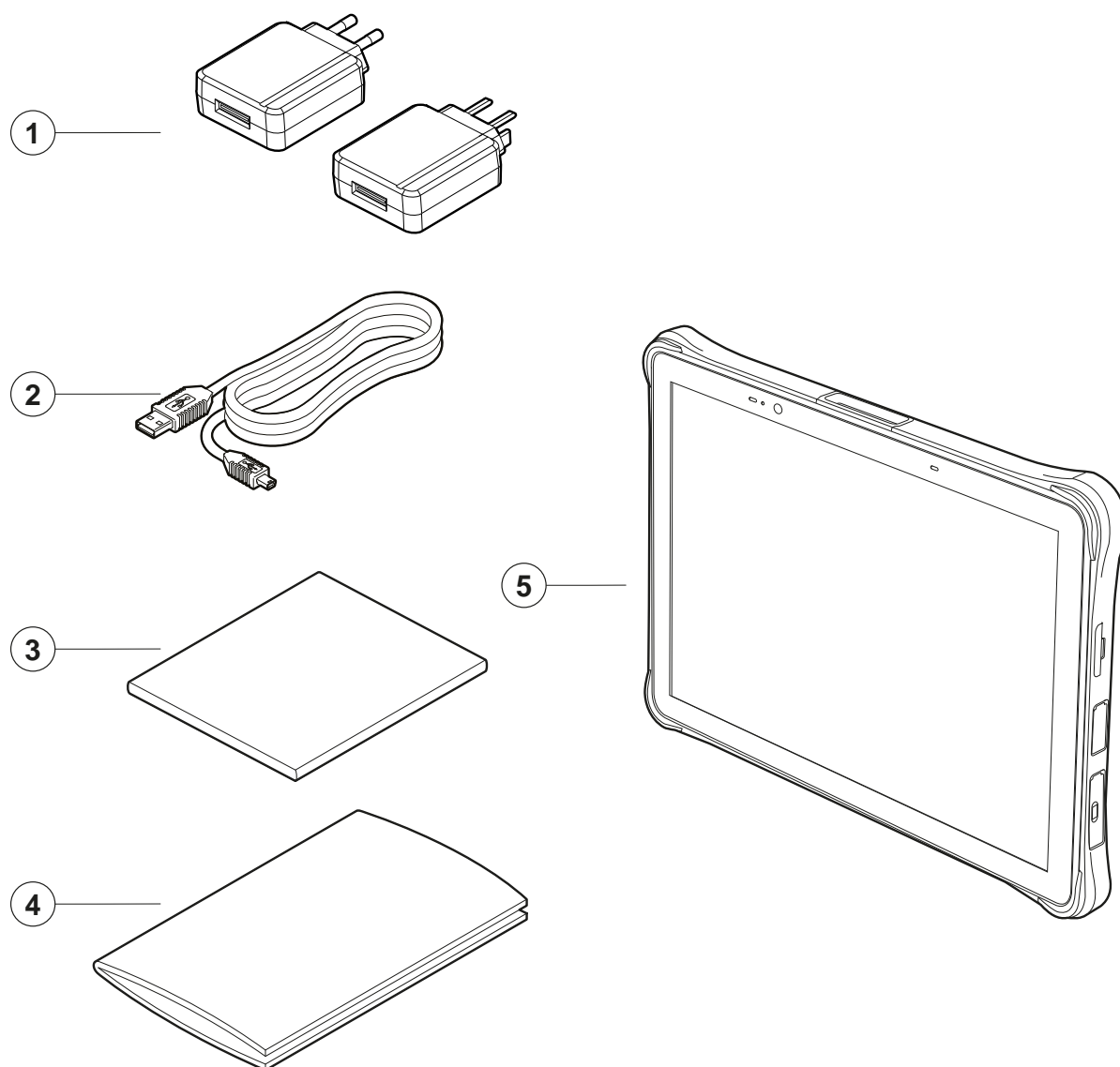
MARKETS

- Retail
 - Logistics
 - Industrial
-

ACCESSOIRES

- Hand strap
- Multi-functional charging cradle
- 10,000 mAh Battery

BOX CONTENTS



1. Standard AC adapter EU or for US market
2. USB type A - USB type C cable
3. Lithium battery
4. Documentation (Short guide)

Device

FICHE TECHNIQUE

CPU	MediaTek MT8788 Octa-core 2.0 GHz
RAM Memory	4 GB
Storage	64 GB
OS	AndroidTM 11 with GMS
Display	10.1" 1920x1200P FHD Multi-Touch IPS display with Gorilla Glass
Brightness	400 cd/m2
Barcode scanner	Built-In 1D/2D barcode scanner (only for specific P/N 93DHN015600L33)
Camera	13MP Rear Camera with Flash, 8MP Front Facing Camera
Wireless	WLAN 2.4G, 5G (Dual band) 802.11a/b/g/n/ac, BT 4.2, WWAN (worldwide)
WWAN	2G: GSM/GPRS: 850/900/1800/1900 MHz; 3G: WCDMA: B1/B2/B5/B8 4G: LTE Bands: 1/2/3/4/5/7/8/12/17/19/20/28A/28B/34/38/39/40/41
Drop Resistance	1.2 m
Degree of protection	IP65
Connectivity	Ethernet (only for Cradle) / POGO Pin for external module
I/O	Mini-HDMI Output, MicroSD Slot, 2x Nano SIM Slots Rich extension interface (with Cradle), including Ethernet (only with Cradle), Serial Port and USB A/B
Battery	10,000mAh Swappable Battery (with 1,000mAh Internal Backup Battery)
Dimensions	246.1 mm (L) x 164.2 mm (W) x 14.9 mm (H)
Weight	900 g (battery included)

MODÈLES



93DHN015600L33

RUGGED TABLET T-RANGER 10.1"
ANDR 11 SCANNER US



93DHN015900L33

RUGGED TABLET T-RANGER 10.1"
ANDR 11 US

Via I. Newton, 4 - 43010 Fontevivo PR - NUMÉRO DE TVA : IT02498250345 - TÉL : +39 0521 680111 - FAX : - CODE UNIVOQUE: 8RQN7AZ

Les données techniques de ce site ne sont pas contraignantes et peuvent être modifiées sans préavis.

Dernière mise à jour : 30 juin 2026