

VKP558

Extremely compact and versatile ticket printer

VKP558 is an extremely **compact and versatile ticket printer**, for **easy installation** and panel mounting. The device is equipped with black plastic bezel, a highly reliable total/partial cutter and easily inspectable paper path. VKP558 has the same panel fixing points of TG02H and the same interfaces and emulations. The product comes with a practical drop-in cradle for paper roll and features the new **Centurion Security Suite**, a software dedicated to the gaming market to authenticate winning tickets and discard the fake ones.



CHARACTERISTICS

1. Design for more **secure ticket delivery**
 2. **Easy paper load** cradle with no loose spindle
 3. **RGB LED** and integrated cutter
 4. **Centurion Security Suite** for authentication of tickets
 5. **Easy inspectable** paper path
-

MARKETS

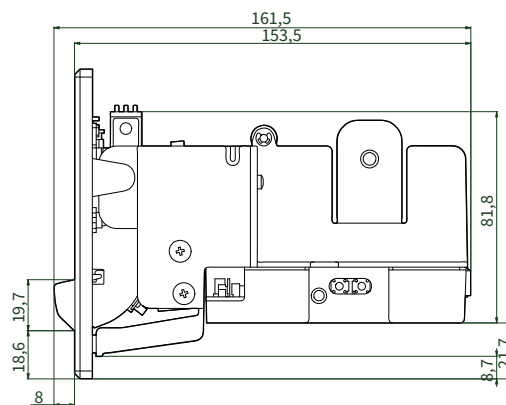
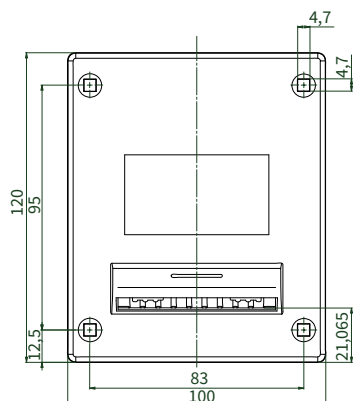
- Gaming machines
 - Queue management systems
 - Vending machines
 - Self-service kiosks
-

ACCESSORIES

- Power supply 12V
 - Kit Near Paper End sensor
-

TECHNICAL SHEET

| | |
|------------------------|---|
| Printing method | Thermal, fixed head |
| Resolution | 203 dpi (8 dots/mm) |
| Printing speed | 70 (mm/sec) |
| Character set | PC437, PC850, PC858, PC860, PC862, PC863, PC864, PC865, PC866, Katakana, WPC1250, WPC1251, WPC1252, WPC1253, WPC1254, WPC1255, WPC1256, WPC1257, WPC1258, Chinese GB18030, Korean PC949 |
| Supported Barcode | QR code, Aztec, PDF417, Data Matrix, UPCA, UPCE, EAN13, EAN8, CODE39, ITF, CODABAR, CODE93, CODE128, CODE32 |
| Printing Format | 12 cpi: Height/Width from 1 to 4, bold, reverse, underlined, italic 12/16 cpi, 16/22 cpi: Height/Width from 1 to 8, bold, reverse, underlined, italic |
| Printing Direction | Normal, Reverse |
| Paper width | 57 mm |
| Paper weight | From 55 g/m ² to 60 g/m ² |
| Paper thickness | From 60 μ m to 65 μ m |
| Printing width | 48 mm |
| External roll diameter | Max 70 mm |
| Roll core diameter | 12 mm |
| Sensors | Paper presence, Head temperature, low paper (optional) |
| Emulation | CUSTOM/POS TG558 |
| Interfaces | RS232/TTL serial port USB 2.0 port |
| Data Buffer | 8 KB |
| Flash Memory | 8 MB |
| Graphic Memory | 2 Logos: 384x682 dots |
| Drivers | Windows [®] 10/11 (32/64 bit) CUPS Linux (32/64 bit) Full status monitor (Windows [®] /Linux) |
| Software Tools | Printer SET (Windows [®] e Android [™]), Windows [®] API, CPT support, Centurion |
| Special features | Centurion SW to validate ticket, anti-jam design: min. ticket 10cm |
| Power supply | 12 Vdc \pm 10% |
| Typical consumption | 0.8 A (typical) 0.6 mA (stand-by with low power mode) |
| Head Life | 50Km/100M pulses |
| Cutter | Full cut/Partial cut |
| Cutter life | 500K cuts |
| Operating temperature | -10/+ 60°C |
| Dimensions | 161.5 mm (L) x 100 mm (W) x 120 mm (H) Front: 100 mm (W) x 120 mm (H) Fixing: 83 mm (L) x 95 mm (H) |
| Weight | 490 gr |



MODELS



915PH010200300

PRINTER VKP558 CUTTER USB
RS232

Via I. Newton, 4 - 43010 Fontevivo PR - VAT: IT02498250345 - TEL: +39 0521 680111 - FAX: - UNIQUE CODE: 8RQN7AZ

The technical data on this website are not binding and may be changed without advanced notice.

Last update: 19 June 2026